



November 2019,

To whom it may concern:

PMJ2020: Advertisements, Sponsorship and Exhibition Opportunities

We are pleased to announce that the 27th Symposium on Photomask and NGL Mask Technology and the Technical Exhibition on Photomasks will be held in Japan for three days, April 19 through 21, 2020 at Annex Hall of PACIFICO Yokohama.

The number of participants and presentation papers has been increasing year by year. We started to offer opportunities of sponsorship with various types as advertising on Digest of Papers, sponsoring beverages at coffee break, production of congress bags, placing a banner advertisement on the website, providing novelty goods, and the Technical exhibition. We are pleased to announce that these opportunities can be utilized as a place of promoting the products and as part of the public relation activities of your company.

Takeo Watanabe
Chair of the Organizing Committee
Photomask Japan 2020

➤ **Congress Bag * Exhibitors are prioritized.**

Congress bag will be distributed to all participants at Photomask Japan 2020 Symposium.
The company logo will be printed on the Congress bag.
(first applying 4 companies).

Fee: ¥100,000 for exhibitors, ¥200,000 for non-exhibitors

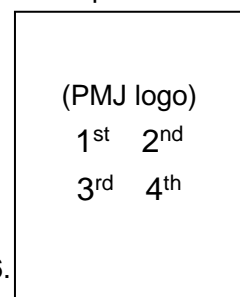


PMJ2019 Congress bag

- Privilege 1 The company catalog (1-2 pages with A4 size) will be enclosed in the bag together with the symposium document.
- Privilege 2 The name of the company and its company logo will be placed as a sponsor of congress bag on the PMJ2020 official website.
<http://www.photomask-japan.org>

Maximum size for company logo: up to H8cm x W8cm

The logo will be placed as shown in the figure, on a first-come-first-served basis.



If the applications are not submitted by January 15 (Wed.), we will start to accept the application from the companies other than exhibitors after January 16.

➤ **Coffee Break, Morning Coffee, Banquet and Special Event**

*** First come, first served basis.**

Date		Venue	Option	Fee
April 19 Sun.	A	Special Event (Yokohama Night Cruise)	Yokohama Night Cruise beverages	2 Companies ¥50,000
	B		Yokohama Night Cruise meals	2 Companies ¥100,000
April 20 Mon.	C	Reception desk area (Foyer)	1 Morning Coffee *before the session begins	1 Company SOLD OUT
	D	Reception desk area (Foyer)	3 Coffee Breaks	2 Companies SOLD OUT
	E	Technical exhibition (room F201+202)	3 Coffee Breaks	2 Companies SOLD OUT
	F	Banquet room (room F205+F206)	Banquet beverages	4 Companies ¥100,000
	G		Banquet meals	2 Companies ¥150,000
April 21 Tue.	H	Reception desk area (Foyer)	1 Morning Coffee *before the session begins	1 Company SOLD OUT
	I	Reception desk area (Foyer)	3 Coffee Breaks	2 Companies SOLD OUT
	J	Technical exhibition (room F201+202)	3 Coffee Breaks	2 Companies SOLD OUT

➤ **Yokohama Night Cruise beverages or meals**

April 19 (Sun.) 17:00-19:00 *tentative

➤ **Coffee breaks: at reception desk area / at technical exhibition**

April 20 (Mon.) *One in AM, Lunch break and One in PM for 3 times in total.

April 21 (Tue.) *One in AM, Lunch break and One in PM for 3 times in total.

➤ **Morning coffee: at reception desk area**

April 20 (Mon.) One In the morning with Coffee and Danish pastries

April 21 (Tue.) One In the morning with Coffee and Danish pastries



Morning coffee image

➤ **Banquet beverages or meals:**

April 20 (Mon.) 18:00-20:00 *tentative

Privilege 1 A sign board with a company logo will be placed at your application place.

Company applies for **A, B**: A sign plate with a company logo will be placed on the cruise table.

Privilege 2 A company logo will be on the screen at the conference room during the time of Coffee Break, before Banquet, and before Poster Session on the applied date.

Company applies for **A, B**: A company logo will be on the screen at the conference room before Banquet (April 20, 2020).

Privilege 3 The name of the company and its company logo will be placed as a sponsor on the PMJ2020 official website. <http://www.photomask-japan.org>

Privilege 4 Mug cups of your company can be distributed on the applied date. If there are other give-away goods than mug cups, contact the Secretariat.

Privilege 5 Company applied for **F, G**: Banquet beverages or meals, two or three persons are allowed to attend the Banquet to be held on April 20 (Mon.). Secretariat will provide you for “the sponsor badges” at the registration desk on site. Please note this sponsor badge will not be allowed to enter the symposium.

For **F**. Banquet beverages sponsor: invited for 2 persons to the Banquet

For **G**. Banquet meals sponsor: invited for 3 persons to the Banquet

Privilege 6 Company applied for **A, B**: Company catalog (1-2 pages in A4 size) can be enclosed in a congress bag with symposium documents.

➤ **Advertisement on Digest Book**

➤ Advertise up-to-date devices, parts, and materials related to the masking technology on the Digest of Papers.

➤ Digest of Papers:

- Photomask Japan 2020 - The 27th Symposium on Photomask and NGL Mask Technology
- The paper will be distributed at the conference venue to participants, and the remnants will be sold after the symposium.
- Circulation: 400

➤ Advertising style and the fee:

- Advertisement will be in English (basically).
- 1 or 1/2 page advertisement will be placed after the cover page of Digest of Papers.
- Fee: 1 page - Color ¥90,000 / Black & White ¥40,000
1/2 page - Black & White ¥20,000
- Advertisement material should be prepared as instructed below.
- **Electrical Data (Outlined with Illustrator Format)**
*Please attach output sample when submitting the data.
- Size: 1 page - H267mm × W180mm, 1/2 page - H128.5mm × W180mm
- **Publication order is decided from “inside front cover” to “inside back cover”, “back matter” on a first-come-first-served basis.**

➤ **Banner on the website**

Your company logo will be placed as a banner advertising sponsor on the PMJ2020 official website.

<http://www.photomask-japan.org/>

Fee: ¥20,000

Banner advertisement material should be sent by an electrical data.

➤ **Novelty Goods**

Other sponsorship than above, who will provide novelty goods with company name and logo (in English) is also invited. For more details, please contact the Secretariat.

* The name of the company and its company logo will be placed as a sponsor of novelty goods on the PMJ2020 official website. <http://www.photomask-japan.org/>

➤ **Exhibition**

The technical exhibition will be held on April 20 and 21, 2020.

➤ **Outline**

Title: Photomask Japan 2020 Technical Exhibition

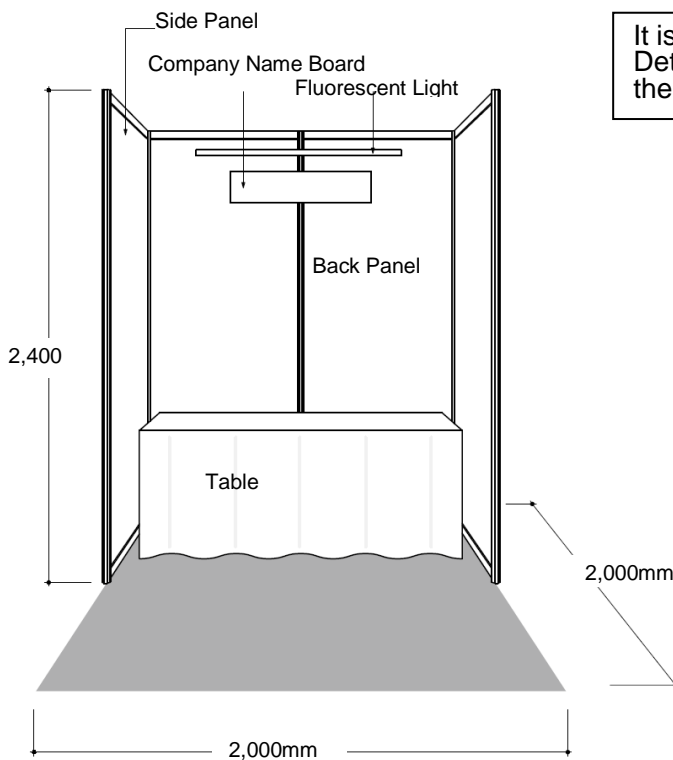
Period: April 20 (Mon.) – 21 (Tue.) *Set up: April 20 (Mon.) AM

Venue: PACIFICO Yokohama (at F201+F202, Annex Hall)

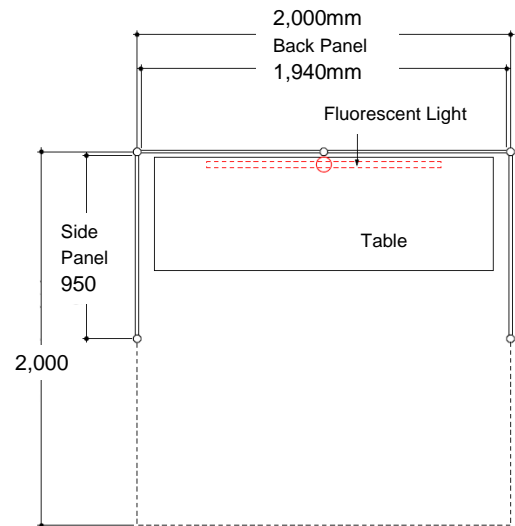
*Area adjacent to the conference venue

In Cooperation with: SEMI Japan

➤ **Booth**



It is made of system panel.
Details about System panel will be announced in the exhibitor manual.



- (1) Back panel (W1.94m x H2.4m) x 1
- (2) Side panels (W0.95m x H2.4m) x 2
- (3) Table with white cloths (W1.8m x D0.6m) x 1
- (4) Chair x 1
- (5) Fluorescent Light (40w) x 1
- (6) Company Name Board x 1 *upon request
- (7) AC Power Outlet (100V/ 1kW) x 1 *upon request

*Order of additional decorating and display fixtures will be charged separately.

➤ **Exhibit Fee**

JPY 210,000 (tax incl.) / booth unit (W2.0m x D2.0m)

- Exhibiting Items

(1) Photomask materials	(7) Metrology / Testing equipment
(2) Mask materials	(8) Cleaning equipment
(3) Resist / Light-sensitive films	(9) CAD Data process equipment
(4) Fabrication / Process	(10) Simulation
(5) Inspection equipment	(11) Publication / Service
(6) Repair equipment	

- Application and Payment
 - Up to 2 booths can be applied, but contact the secretariat if you wish to apply to more than 3 booths.
 - The registration for participation in the symposium for the exhibitors will be applied at a special fee. Details will be announced at a later date in February 2020.
 - An invoice for the exhibition will be sent in January 2020.
 - Exhibitors are to make payment by February 28 (Fri.), 2020. Payment is to be made by bank transfer.
 - Kindly note that the booths allocation is determined by PMJ Steering Committee.
 - If the number of applications is over to fill the booths, adjustments might be made.
 - Please read Terms and Conditions in the Exhibition Application Form carefully.

- Cancellation policy

In principle, cancellations will not be accepted after the application. If the Company cancels its application or change the number of the booth unit, please be sure to notify the secretariat by written notice. In this case, the following cancellation fee will be charged.

After receipt of application form until January 15 (Wed.),2020:	No charge
From January 16 (Thu.) to February 28 (Fri.), 2020:	50% of Exhibition Fee
After February 29 (Sat.), 2020:	100% Exhibition Fee

- Show cancellation / Change of the period

The organizer, based on its own judgment, may change the period of or cancel the exhibition if the land or structure used for the venue becomes inappropriate for use, or if the show is interrupted owing to a legitimate cause, such as natural disaster, including earthquake, typhoon, the fire, and so on, possibility of developing an infection, terrorism, and directions and orders from the third party.

In such cases, the organizer shall not be held liable for resultant damages, cost increases, or any other problems.

If the show is interrupted owing to a legitimate cause DURING the exhibition period and the organizer change the period or cancel the exhibition, the exhibition fee will not be refunded.

If the show is interrupted owing to a legitimate cause BEFORE the exhibition period and the organizer cancel the exhibition, the exhibition fee after deduction of necessary expenses will be reimburse to the exhibitors.

- Exhibition Schedule (tentative)

January 15 (Wed.), 2020	Deadline of Application
January 2020	Send the invoice for the Exhibition Fee
End of February 2020	Send Exhibitor manual and Floor plan
February 28 (Fri.), 2020	Deadline of Payment for the Exhibition Fee
April 20 (Mon), 2020	AM : Set up and the 1 st day of the Exhibition
April 21 (Tue.), 2020	the 2 nd day of the Exhibition (After the exhibition, Take down)

*Details will be announced in the exhibitor manual.

Advertisements, Sponsorship and Exhibition

How to Apply & Dead line

Contact the secretariat and apply the sponsorship no later than January 15 (Wed.), 2020.
For application of advertisement, send the electric data along with the application.

Photomask Japan Secretariat :

c/o JTB Communication Design, Inc.

Address: Celestine Shiba Mitsui Bldg.,

3-23-1 Shiba, Minato-ku, Tokyo 105-8335, Japan

Tel: +81-3-5657-0777 Fax: +81-3-3452-8550

E-mail for the secretariat: pmj@jtbc.com

E-mail for the technical exhibition: pmj-exh@jtbc.com

<https://www.photomask-japan.org/>